

## Swivel Clamp Connector Joints

Aluminum / Stainless Steel

### SPECIFICATION

#### Identification no.

No. 2: With 3 stainless steel socket cap screws DIN 912

Aluminum

- Powder coated  
Black, RAL 9005, textured finish **SW**
- Plain, matte shot-blasted **BL**

Stainless steel AISI CF-8 **NI**  
Matte shot-blasted

Socket cap screws DIN 912  
Stainless steel AISI 304

Hex nuts DIN 985  
Stainless steel AISI 304

Self-locking via polyamide ring



### INFORMATION

Swivel clamp connector joints GN 287 are an assembly of two swivel clamp connectors GN 275 (see page 1854) and GN 277 (see page 1855).

The clamping bores are mechanically machined and designed for construction tubes GN 990 (see page 1902) or DIN 2391, DIN 2395 and DIN 2462.

At the screw locations **z<sub>1</sub>**, the socket cap screws reduce the bore cross-section for clamping.

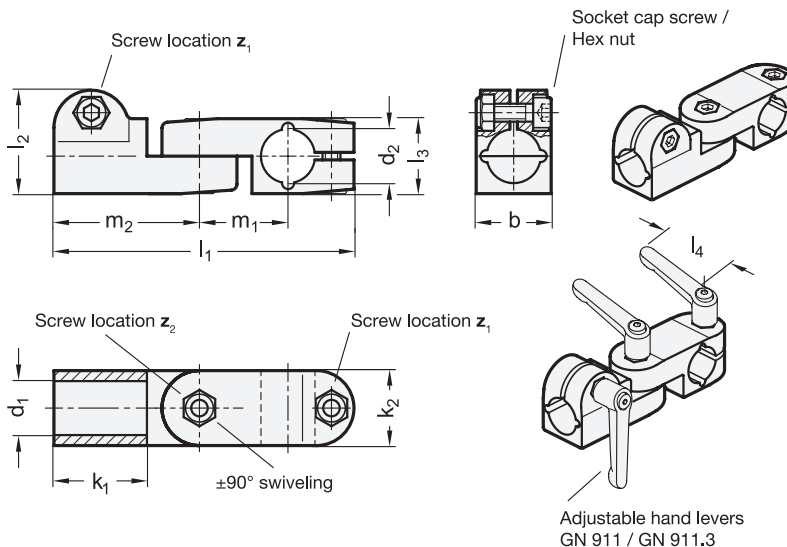
For clamping without tools, the socket cap screws can be replaced by the adjustable hand levers GN 911 (see page 1874) / GN 911.3 (see page 1875) listed in the table as accessory.

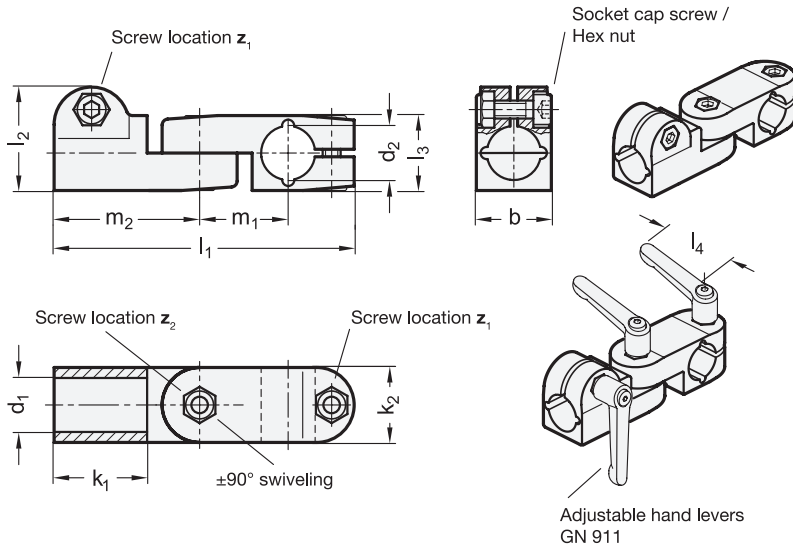
### ACCESSORY

- Adjustable Hand Levers GN 911 (see page 1874) / GN 911.3 (see page 1875)

### TECHNICAL INFORMATION

- Stainless Steel Characteristics (see page A26)





\* Complete with

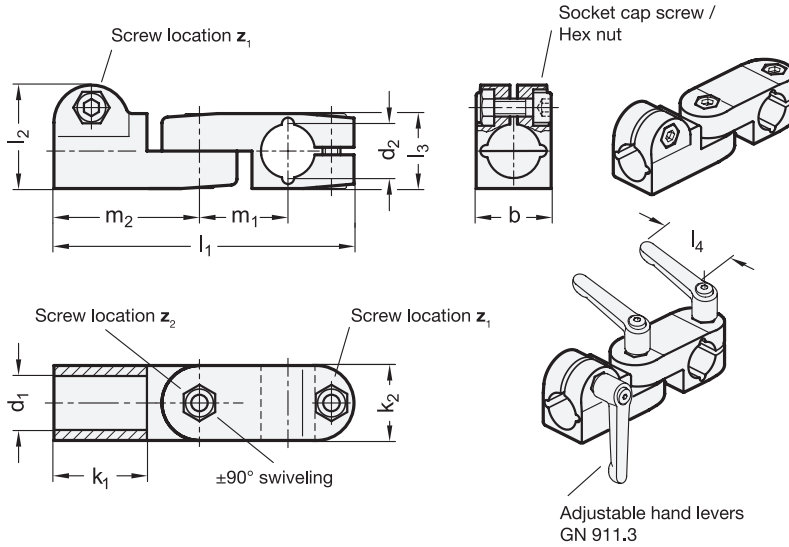
BL  
RAL9005 Plain

GN 287-AL

Description	d1 Bore	d2 Bore	b	k1	k2	l1	l2	l3	m1	m2	z1 Screw locations	z2 Screw location	Accessory Recom. hand lever GN 911 for z1 l4	Accessory Recom. hand lever GN 911 for z2 l4	⚖
GN 287-B12-B12-2-*	B 12	B 12	25	31.5	25	100	34.5	25	29.5	48.5	M6-20	M6-20	63   -	45   63	156
GN 287-B12-B14-2-*	B 12	B 14	25	31.5	25	100	34.5	25	29.5	48.5	M6-20	M6-20	63   -	45   63	150
GN 287-B12-B15-2-*	B 12	B 15	25	31.5	25	100	34.5	25	29.5	48.5	M6-20	M6-20	63   -	45   63	147
GN 287-B12-B16-2-*	B 12	B 16	25	31.5	25	100	34.5	25	29.5	48.5	M6-20	M6-20	63   -	45   63	145
GN 287-B12-B18-2-*	B 12	B 18	25	31.5	25	100	34.5	25	29.5	48.5	M6-20	M6-20	63   -	45   63	139
GN 287-B14-B12-2-*	B 14	B 12	25	31.5	25	100	34.5	25	29.5	48.5	M6-20	M6-20	45   63	45   63	142
GN 287-B14-B14-2-*	B 14	B 14	25	31.5	25	100	34.5	25	29.5	48.5	M6-20	M6-20	45   63	45   63	140
GN 287-B14-B15-2-*	B 14	B 15	25	31.5	25	100	34.5	25	29.5	48.5	M6-20	M6-20	45   63	45   63	135
GN 287-B14-B16-2-*	B 14	B 16	25	31.5	25	100	34.5	25	29.5	48.5	M6-20	M6-20	45   63	45   63	132
GN 287-B14-B18-2-*	B 14	B 18	25	31.5	25	100	34.5	25	29.5	48.5	M6-20	M6-20	45   63	45   63	130
GN 287-B15-B12-2-*	B 15	B 12	25	31.5	25	100	34.5	25	29.5	48.5	M6-20	M6-20	45   63	45   63	144
GN 287-B15-B14-2-*	B 15	B 14	25	31.5	25	100	34.5	25	29.5	48.5	M6-20	M6-20	45   63	45   63	142
GN 287-B15-B15-2-*	B 15	B 15	25	31.5	25	100	34.5	25	29.5	48.5	M6-20	M6-20	45   63	45   63	140
GN 287-B15-B16-2-*	B 15	B 16	25	31.5	25	100	34.5	25	29.5	48.5	M6-20	M6-20	45   63	45   63	138
GN 287-B15-B18-2-*	B 15	B 18	25	31.5	25	100	34.5	25	29.5	48.5	M6-20	M6-20	45   63	45   63	136
GN 287-B16-B12-2-*	B 16	B 12	25	31.5	25	100	34.5	25	29.5	48.5	M6-20	M6-20	45   63	45   63	145
GN 287-B16-B14-2-*	B 16	B 14	25	31.5	25	100	34.5	25	29.5	48.5	M6-20	M6-20	45   63	45   63	140
GN 287-B16-B15-2-*	B 16	B 15	25	31.5	25	100	34.5	25	29.5	48.5	M6-20	M6-20	45   63	45   63	137
GN 287-B16-B16-2-*	B 16	B 16	25	31.5	25	100	34.5	25	29.5	48.5	M6-20	M6-20	45   63	45   63	130
GN 287-B16-B18-2-*	B 16	B 18	25	31.5	25	100	34.5	25	29.5	48.5	M6-20	M6-20	45   63	45   63	124
GN 287-B18-B12-2-*	B 18	B 12	25	31.5	25	100	34.5	25	29.5	48.5	M6-20	M6-20	45   63	45   63	145
GN 287-B18-B14-2-*	B 18	B 14	25	31.5	25	100	34.5	25	29.5	48.5	M6-20	M6-20	45   63	45   63	140
GN 287-B18-B15-2-*	B 18	B 15	25	31.5	25	100	34.5	25	29.5	48.5	M6-20	M6-20	45   63	45   63	135
GN 287-B18-B16-2-*	B 18	B 16	25	31.5	25	100	34.5	25	29.5	48.5	M6-20	M6-20	45   63	45   63	132
GN 287-B18-B18-2-*	B 18	B 18	25	31.5	25	100	34.5	25	29.5	48.5	M6-20	M6-20	45   63	45   63	130

Weight SW





GN 287-NI

STAINLESS STEEL

Description	d1 Bore	d2 Bore	b	k1	k2	l1	l2	l3	m1	m2	z1 Screw locations	z2 Screw location	Accessory Recom. hand lever		⚖
													GN 911.3 for z1 l4	GN 911.3 for z2 l4	
GN 287-B12-B12-2-NI	B 12	B 12	25	31.5	25	100	34.5	25	29.5	48.5	M6-20	M6-20	-	45   63	338
GN 287-B12-B14-2-NI	B 12	B 14	25	31.5	25	100	34.5	25	29.5	48.5	M6-20	M6-20	-	45   63	336
GN 287-B12-B15-2-NI	B 12	B 15	25	31.5	25	100	34.5	25	29.5	48.5	M6-20	M6-20	-	45   63	335
GN 287-B12-B16-2-NI	B 12	B 16	25	31.5	25	100	34.5	25	29.5	48.5	M6-20	M6-20	-	45   63	334
GN 287-B12-B18-2-NI	B 12	B 18	25	31.5	25	100	34.5	25	29.5	48.5	M6-20	M6-20	-	45   63	332
GN 287-B12-B20-2-NI	B 12	B 20	25	31.5	25	100	34.5	25	29.5	48.5	M6-20	M6-20	-	45   63	330
GN 287-B14-B12-2-NI	B 14	B 12	25	31.5	25	100	34.5	25	29.5	48.5	M6-20	M6-20	-	45   63	336
GN 287-B14-B14-2-NI	B 14	B 14	25	31.5	25	100	34.5	25	29.5	48.5	M6-20	M6-20	-	45   63	325
GN 287-B14-B15-2-NI	B 14	B 15	25	31.5	25	100	34.5	25	29.5	48.5	M6-20	M6-20	-	45   63	324
GN 287-B14-B16-2-NI	B 14	B 16	25	31.5	25	100	34.5	25	29.5	48.5	M6-20	M6-20	-	45   63	323
GN 287-B14-B18-2-NI	B 14	B 18	25	31.5	25	100	34.5	25	29.5	48.5	M6-20	M6-20	-	45   63	322
GN 287-B14-B20-2-NI	B 14	B 20	25	31.5	25	100	34.5	25	29.5	48.5	M6-20	M6-20	-	45   63	321
GN 287-B15-B12-2-NI	B 15	B 12	25	31.5	25	100	34.5	25	29.5	48.5	M6-20	M6-20	-	45   63	335
GN 287-B15-B14-2-NI	B 15	B 14	25	31.5	25	100	34.5	25	29.5	48.5	M6-20	M6-20	-	45   63	330
GN 287-B15-B15-2-NI	B 15	B 15	25	31.5	25	100	34.5	25	29.5	48.5	M6-20	M6-20	-	45   63	327
GN 287-B15-B16-2-NI	B 15	B 16	25	31.5	25	100	34.5	25	29.5	48.5	M6-20	M6-20	-	45   63	324
GN 287-B15-B18-2-NI	B 15	B 18	25	31.5	25	100	34.5	25	29.5	48.5	M6-20	M6-20	-	45   63	319
GN 287-B15-B20-2-NI	B 15	B 20	25	31.5	25	100	34.5	25	29.5	48.5	M6-20	M6-20	-	45   63	314
GN 287-B16-B12-2-NI	B 16	B 12	25	31.5	25	100	34.5	25	29.5	48.5	M6-20	M6-20	-	45   63	334
GN 287-B16-B14-2-NI	B 16	B 14	25	31.5	25	100	34.5	25	29.5	48.5	M6-20	M6-20	-	45   63	323
GN 287-B16-B15-2-NI	B 16	B 15	25	31.5	25	100	34.5	25	29.5	48.5	M6-20	M6-20	-	45   63	316
GN 287-B16-B16-2-NI	B 16	B 16	25	31.5	25	100	34.5	25	29.5	48.5	M6-20	M6-20	-	45   63	307
GN 287-B16-B18-2-NI	B 16	B 18	25	31.5	25	100	34.5	25	29.5	48.5	M6-20	M6-20	-	45   63	305
GN 287-B16-B20-2-NI	B 16	B 20	25	31.5	25	100	34.5	25	29.5	48.5	M6-20	M6-20	-	45   63	301
GN 287-B18-B12-2-NI	B 18	B 12	25	31.5	25	100	34.5	25	29.5	48.5	M6-20	M6-20	63   -	45   63	332
GN 287-B18-B14-2-NI	B 18	B 14	25	31.5	25	100	34.5	25	29.5	48.5	M6-20	M6-20	63   -	45   63	322
GN 287-B18-B15-2-NI	B 18	B 15	25	31.5	25	100	34.5	25	29.5	48.5	M6-20	M6-20	63   -	45   63	315
GN 287-B18-B16-2-NI	B 18	B 16	25	31.5	25	100	34.5	25	29.5	48.5	M6-20	M6-20	63   -	45   63	305
GN 287-B18-B18-2-NI	B 18	B 18	25	31.5	25	100	34.5	25	29.5	48.5	M6-20	M6-20	63   -	45   63	289
GN 287-B18-B20-2-NI	B 18	B 20	25	31.5	25	100	34.5	25	29.5	48.5	M6-20	M6-20	63   -	45   63	287
GN 287-B20-B12-2-NI	B 20	B 12	25	31.5	25	100	34.5	25	29.5	48.5	M6-20	M6-20	45   63	45   63	330
GN 287-B20-B14-2-NI	B 20	B 14	25	31.5	25	100	34.5	25	29.5	48.5	M6-20	M6-20	45   63	45   63	321
GN 287-B20-B15-2-NI	B 20	B 15	25	31.5	25	100	34.5	25	29.5	48.5	M6-20	M6-20	45   63	45   63	313
GN 287-B20-B16-2-NI	B 20	B 16	25	31.5	25	100	34.5	25	29.5	48.5	M6-20	M6-20	45   63	45   63	301
GN 287-B20-B18-2-NI	B 20	B 18	25	31.5	25	100	34.5	25	29.5	48.5	M6-20	M6-20	45   63	45   63	287
GN 287-B20-B20-2-NI	B 20	B 20	25	31.5	25	100	34.5	25	29.5	48.5	M6-20	M6-20	45   63	45   63	266